



AVK SEWER OB JUNCTION CLAMP PN16

748

Sewer OB junction clamps PN1 pressure rating
Range DN100 to DN450
DN100, DN150 and DN225 offtakes, depending on host pipe size
45° angle and 90° angle junctions available
uPVC access coupling fixed to offtake
For use on Cast Iron, PVC, AC, VC and FRC

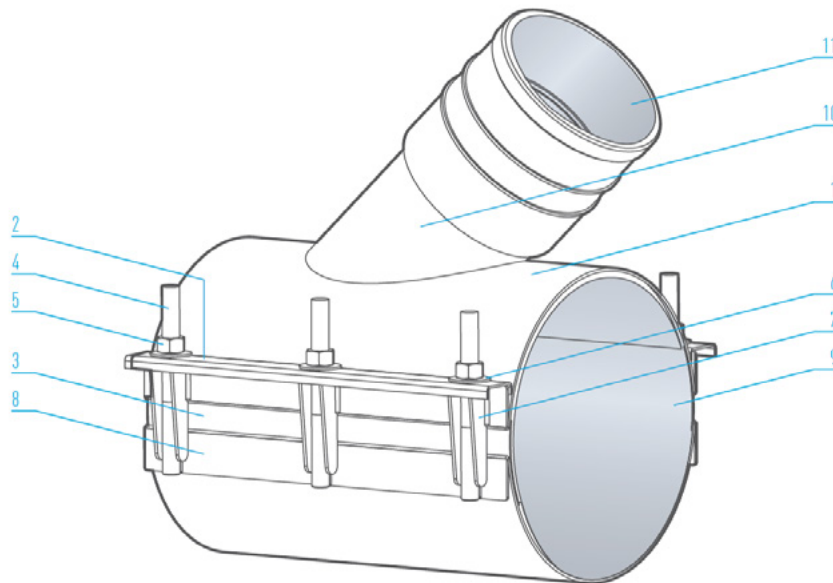
Use:

- Branch connections on non-pressure sewer pipelines
- 1 bar / 10 meters allowable operating pressure
- This product does not provide axial restraint

Standards and Approvals:

- Manufacturing facility certified to ISO 9001 quality assurance standard





Component list

1. Skin	316 Stainless Steel / ASTM A240M	6. Washers	316 Stainless Steel / ISO 7089
2. Locking plate	316 Stainless Steel / ASTM A240M	7. Lugs	316 Stainless Steel / ASTM A240M or A276
3. Bridge plate	316 Stainless Steel bonded to gasket / ASTM A240M	8. Flat bars	316 Stainless Steel / ASTM A240M or A276
4. Studs	316 Stainless Steel - anti-galling compound coated / ASTM A276	9. Sealing gasket	Full-circle nitrate (NBR) compound
5. Nuts	316 Stainless Steel - molybond coated / AS 1112.1	10. Offtake	316 Stainless Steel / ASTM A312M
		11. Access coupling	upVC / AS/NZS 1260

Components can be substituted with equivalent or higher class materials.

Reference nos. and dimensions

AVK ref no	DN mm	PN	Offtake angle	Offtake size	Material	Clamp Length mm	Sealing range mm	No of Parts	No of Studs
748-932-012003-01-111	100	PN1	45°	110	316SS	300	120-130	2	6
748-932-013503-01-111	100	PN1	45°	110	316SS	300	135-145	2	6
748-932-015003-01-111	150	PN1	45°	110	316SS	300	150-160	2	6
748-932-015003-01-211	150	PN1	90°	110	316SS	300	150-160	2	6
748-932-016003-01-111	150	PN1	45°	110	316SS	300	160-170	2	6
748-932-016004-01-116	150	PN1	45°	160	316SS	400	160-170	2	8
748-932-016004-01-216	150	PN1	90°	160	316SS	400	160-170	2	8
748-932-017503-01-111	150	PN1	45°	110	316SS	300	175-185	2	6
748-932-017504-01-116	150	PN1	45°	160	316SS	400	175-185	2	8
748-932-019003-01-111	150	PN1	45°	110	316SS	300	190-200	2	6
748-932-019003-01-211	150	PN1	90°	110	316SS	300	190-200	2	6
748-932-019004-01-116	150	PN1	45°	160	316SS	400	190-200	2	8
748-932-022503-01-111	200	PN1	45°	110	316SS	300	225-235	2	6
748-932-022504-01-116	200	PN1	45°	160	316SS	400	225-235	2	8
748-932-022504-01-216	200	PN1	90°	160	316SS	400	225-235	2	8
748-932-024004-01-116	225	PN1	45°	160	316SS	400	240-250	2	8
748-932-024004-01-216	225	PN1	90°	160	316SS	400	240-250	2	8
748-932-024503-01-111	225	PN1	45°	110	316SS	300	245-255	2	6
748-932-024504-01-116	225	PN1	45°	160	316SS	400	245-255	2	8

AVK ref no	DN mm	PN	Offtake angle	Offtake size	Material	Clamp Length mm	Sealing range mm	No of Parts	No of Studs
748-932-024504-01-216	225	PN1	90°	160	316SS	400	245-255	2	8
748-932-025503-01-111	225	PN1	45°	110	316SS	300	255-265	2	6
748-932-025503-01-211	225	PN1	90°	110	316SS	300	255-265	2	6
748-932-025504-01-116	225	PN1	45°	160	316SS	400	255-265	2	8
748-932-027004-01-116	250	PN1	45°	160	316SS	400	270-280	2	8
748-932-027503-01-111	225	PN1	45°	110	316SS	300	275-285	2	6
748-932-027504-01-116	250	PN1	45°	160	316SS	400	275-285	2	8
748-932-027504-01-216	250	PN1	90°	160	316SS	400	275-285	2	8
748-932-027506-01-125	250	PN1	45°	250	316SS	600	275-285	2	14
748-932-027506-01-225	250	PN1	90°	250	316SS	600	275-285	2	14
748-932-028503-01-111	250	PN1	45°	110	316SS	300	285-295	2	6
748-932-028504-01-116	250	PN1	45°	160	316SS	400	285-295	2	8
748-932-031003-01-111	300	PN1	45°	110	316SS	300	310-320	2	6
748-932-031004-01-116	300	PN1	45°	160	316SS	400	310-320	2	8
748-932-031004-01-216	300	PN1	90°	160	316SS	400	310-320	2	8
748-932-032004-01-116	300	PN1	45°	160	316SS	400	320-330	2	8
748-932-033003-01-111	300	PN1	45°	110	316SS	300	330-340	2	6
748-932-033004-01-116	300	PN1	45°	160	316SS	400	330-340	2	8
748-932-034006-01-125	300	PN1	45°	250	316SS	600	340-350	2	14
748-932-034006-01-225	300	PN1	90°	250	316SS	600	340-350	2	14
748-932-034504-01-116	300	PN1	45°	160	316SS	400	345-355	2	8
748-932-034504-01-216	300	PN1	90°	160	316SS	400	345-355	2	8
748-932-035003-01-111	300	PN1	45°	110	316SS	300	350-360	2	6
748-932-035004-01-116	300	PN1	45°	160	316SS	400	350-360	2	8
748-932-036003-01-111	300	PN1	45°	110	316SS	300	350-360	2	6
748-932-036003-01-211	300	PN1	90°	110	316SS	300	350-360	2	6
748-932-036004-01-116	300	PN1	45°	160	316SS	400	350-360	2	8
748-932-036006-01-125	300	PN1	45°	250	316SS	600	350-360	2	14
748-932-037003-01-111	300	PN1	45°	110	316SS	300	370-380	2	6
748-932-037004-01-116	300	PN1	45°	160	316SS	400	370-380	2	8
748-932-037004-01-216	300	PN1	90°	160	316SS	400	370-380	2	8
748-932-037006-01-125	300	PN1	45°	250	316SS	600	370-380	2	14
748-932-040003-01-211	375	PN1	90°	110	316SS	300	400-410	2	6
748-932-040003-01-111	400	PN1	45°	110	316SS	300	400-410	2	6
748-932-040004-01-116	375	PN1	45°	160	316SS	400	400-410	2	8
748-932-040004-01-216	375	PN1	90°	160	316SS	400	400-410	2	8
748-932-042003-01-111	375	PN1	45°	110	316SS	300	420-430	2	6
748-932-042004-01-116	375	PN1	45°	160	316SS	400	420-430	2	8
748-932-042006-01-125	375	PN1	45°	250	316SS	600	420-430	2	14
748-932-044003-01-111	375	PN1	45°	110	316SS	300	440-450	2	6
748-932-044004-01-116	375	PN1	45°	160	316SS	400	440-450	2	8
748-932-045003-01-111	450	PN1	45°	110	316SS	300	450-460	2	6
748-932-048004-01-116	450	PN1	45°	160	316SS	400	480-490	2	8
748-932-048006-01-125	400	PN1	45°	250	316SS	600	480-490	2	14
748-932-050003-01-111	450	PN1	45°	110	316SS	300	500-510	2	6
748-932-050004-01-116	450	PN1	45°	160	316SS	400	500-510	2	8
748-932-053003-01-111	450	PN1	45°	110	316SS	300	530-540	2	6
748-932-063004-01-116	525	PN1	45°	160	316SS	400	630-640	2	8

(*Sizes over DN 450 available upon request)