



SEWER OB JUNCTION CLAMPS

DN 100 - DN 450

FOR FAST, PERMANENT BRANCH CONNECTIONS ON NON-PRESSURE SEWER PIPELINES



FEATURES

- Simple and permanent installation
- Quickly repairs and reconnects broken sewer junctions
- Expedient means of replacing property branches on renewed/relined pipes
- 45° and 90° junctions available
- uPVC access coupling fixed to off-take (as standard) for convenient solvent weld connections to PVC property drains
- Fully constructed from 316 stainless steel for high corrosion protection
- Full circle nitrile rubber gasket
- Fully passivated
- All sharp surfaces finished to avoid injury
- Plastic thread protectors
- Dry film anti-galling coating employed to minimise galling of the stainless steel fasteners
- Off-take does not interfere with CCTV camera inspections
- Clamp design provides rehabilitation to old or damaged pipes
- Manufacturing facility certified to ISO 9001 quality assured standard

DESCRIPTION

Stainless steel Sewer Junction Clamps for fast and permanent sewer branch connections and repairs on non-pressure sewer pipelines

DN 100 - DN 450.

APPLICATION

Ideally suited to installing a new property sewer branch on an existing main, or to repair and reconnect a damaged property branch. Ideal for reconnecting a property branch on renewed or relined sewers

TECHNICAL DATA

Size Range: DN 100 – DN 450

Offtake Sizes: DN 100, DN 150, DN 225 (Depending on host pipe size)

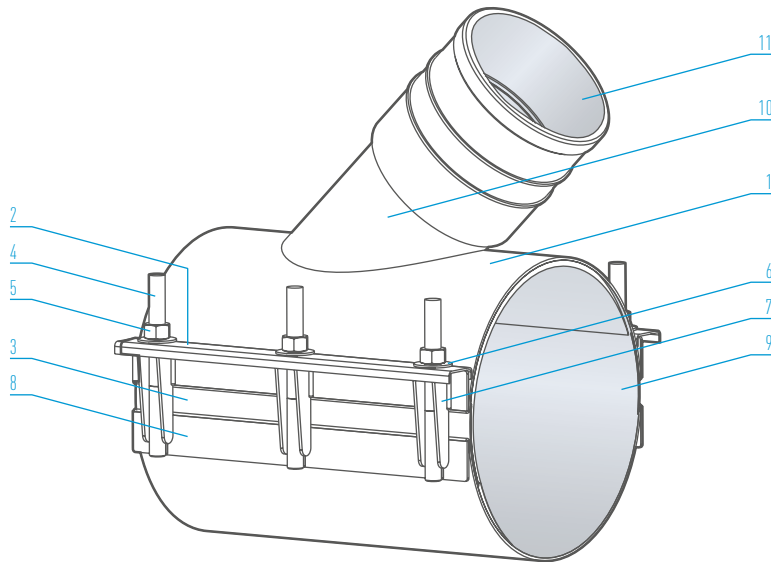
Maximum Operating Pressure: 100 kPa

Temperature Range: -10° to 60°C

SEWER OB JUNCTION CLAMPS

DN 100 - DN 450

FOR FAST, PERMANENT BRANCH CONNECTIONS ON NON-PRESSURE SEWER PIPELINES



PARTS LIST

No.	Description / Material / Standard
1	Skin 316 stainless steel / ASTM A240M
2	Locking Plate 316 stainless steel / ASTM A240M
3	Bridge Plate 316 stainless steel bonded to gasket / ASTM A240M
4	Studs 316 stainless steel - anti-galling compound coated ASTM A276
5	Nuts 316 stainless steel - Molybond coated / AS 1112.1
6	Washers 316 stainless steel / ISO 7089
7	Lugs 316 stainless steel / ASTM A240M or A276
8	Flat Bars 316 stainless steel / ASTM A240M or A276
9	Sealing Gasket Full-circle nitrile (NBR) compound
10	Off-take 316 stainless steel / ASTM A312M
11	Access Coupling uPVC / AS/NZS 1260

STANDARD SEWER CLAMP DATA

Nominal Size. DN	100 - 450	150 - 450	300 - 450
Offtake Size. dn	100	150	225
Code Prefix	K6	K8	K14
Stud Size	M16	M16	M16
No. of Parts	2	2	2
No. of Bolts	6	8	14
Clamp Length. mm	300	400	600

TYPICAL SPECIFYING SEQUENCE

	K	6	-	190	W	110	B	C	A
K	= Clamp code								
6	= Number of fasteners 6 = 6 bolts 8 = 8 bolts 14 = 14 bolts								
-	= Delineator								
190	= Start of OD range ie, 190mm								
W	= Offtake type - sewer junction off-take								
110	= Nominal offtake size 110 = dn 100 / 160 = dn 150 / 250 = dn 225								
B	= Number of parts - 2 part								
C	= Clamp length. mm C = 300 / D = 400 / F = 600								
A	= Junction type - 45° with uPVC access coupling								
B	= Junction type - 45° without coupling								
C	= Junction type - 90° with uPVC access coupling								
D	= Junction type - 90° without coupling								



DISTRIBUTED BY VIADUX

ADELAIDE
P: 08 8340 3411
F: 08 8340 3422
E: cca.sales@viadux.com.au

BRISBANE
P: 07 5589 4400
F: 07 5534 7079
E: ccb.sales@viadux.com.au

DARWIN
P: 08 8935 3300
F: 08 8947 3981
E: ccd.sales@viadux.com.au

GOLD COAST
P: 07 5589 4400
F: 07 5534 7079
E: ccg.sales@viadux.com.au

MELBOURNE
P: 03 9309 9133
F: 03 9309 6237
E: ccm.sales@viadux.com.au

NEWCASTLE
P: 02 4914 0700
F: 02 4966 8776
E: ccn.sales@viadux.com.au

PERTH
P: 08 9346 8500
F: 08 9346 8501
E: ccp.sales@viadux.com.au

SYDNEY
P: 02 9794 3440
F: 02 9794 3499
E: ccs.sales@viadux.com.au

TOWNSVILLE
P: 07 4725 5940
F: 07 4725 4995
E: cct.sales@viadux.com.au

WANG COMPONENTS

CNR GIBSON STREET & SANDFORD ROAD, WANGARATTA, VICTORIA 3677
PHONE 03 5722 7400 / FAX 03 5722 7444

All WANG trademarks and logos are owned by Wang Components. All other brand or product names are trademarks or registered marks of their respective owners. Because we are continuously improving our products and services, Wang Components reserves the right to change specifications without prior notice. AP0315 © 2015 Wang Components. All Rights Reserved.

